

# SBX-1K SERIES SHEAR BEAM LOAD CELLS, from 500kg to 2000kg



Stainless steel approved shear beam load cells, with capacities from 500kg to 2000kg, with IP68 protection. Particularly suitable for creating CE-M approved scales with 4 load cells, or for weighing tanks and hoppers, with the aid of its accessories.

## MAIN FEATURES

- 17-4 PH STAINLESS STEEL CONSTRUCTION WITH LASER WELDING
- IP68 PROTECTION
- MAX. CAPACITIES FROM 500 TO 2000 kg
- SHIELDED CONNECTION CABLE
- TEST CERTIFICATE AVAILABLE UPON REQUEST

## TECHNICAL FEATURES

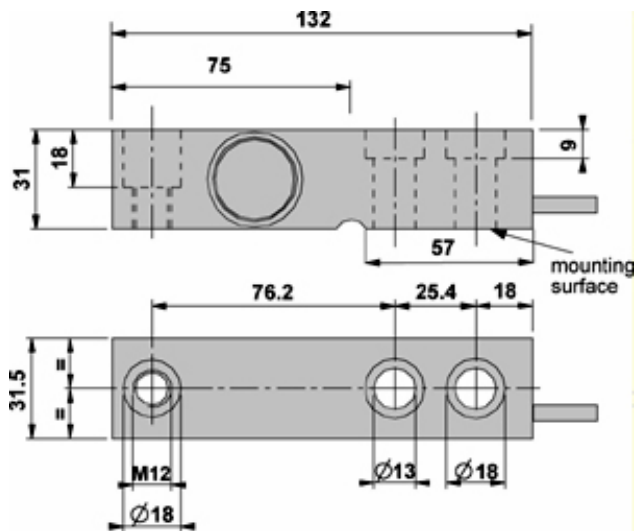
- Minimum load cell verification interval  $V_{min} = E_{Max} / 10.000$
- Maximum number of verification intervals  $n_{LC} = 3000$
- Combined error 0,017% of Full Scale Output (F.S.)
- Full Scale Output 2mV/V +/- 0.5%
- Temperature effect on zero 0,002% / °C
- Temperature effect on full scale output 0,002% / °C
- Compensated Temperature Range -10°C/+50°C
- Operating Temperature Range -20°C/+60°C
- Creep error after 30 minutes 0,02% F.S.
- Maximum tolerated excitation voltage 15 VDC
- Input Resistance  $1100 \pm 20 \text{ Ohm}$
- Output Resistance  $1000 \pm 20 \text{ Ohm}$
- Insulation Resistance >5000 MOhm
- Safe Overload 150% F.S.
- Ultimate Overload 300% F.S.
- 6-wire shielded cable, 5m long, 5 mm diameter

## EXTRAS AVAILABLE

- II 1GD ATEX Certificate for each load cell
- Declaration of ATEX conformity of the system (for the code see the pages of the atex weight indicators and MB4 atex barrier kit).

## DIMENSIONS - DECODING STANDARD CABLE

- NOTE: dimensions in mm



- Decoding of the standard cable colours

Colour	Function
--	SHIELD
YELLOW	OUTPUT +
GREY	SENSE +
BROWN	INPUT +
WHITE	OUTPUT -
GREEN	INPUT -
PINK	SENSE -

## Available models

Code	Max (kg)	Masterpack
SBX500-1K <b>M</b>	500	4 pcs SBX500-1KC

SBX1000-1K **M**  
SBX2000-1K **M**

1000  
2000

SBX1000-1KC  
SBX2000-1KC

#### Extras available

Code	Description
<b>CCATEX</b>	ATEX certificate for each load cell for the following categories: II 1G Ex ia IIC T6 (Ta -20÷+40°C) TX (Ta -20÷+65°C) Ga and II 1D Ex ta IIIC TX°C (Ta -20÷+40°C) TX°C (Ta -20÷+65°C) Da IP65. Complete with manual and ATEX CE CONFORMITY DECLARATIONS (available in EN, DE, FR and IT).
<b>DCATEXMB4</b>	Declaration of ATEX conformity of the whole, Ex II 2GD IIC T6 T125°C X system, with relative label of whole system, for NON ATEX weight indicator connected to MB4 Dini Argeo zener barriers, connected to mechanical structure with ATEX load cells (each cell must be certified with CCATEX option). ATEX CONFORMITY DECLARATIONS will be supplied in English.

#### Assembly kits

Code	Description
<b>KSB2</b>	Kit of stainless steel plait for assembling 1 shear beam load cells SB... series with capacity from 250 kg to 2000 kg under hoppers or tanks.